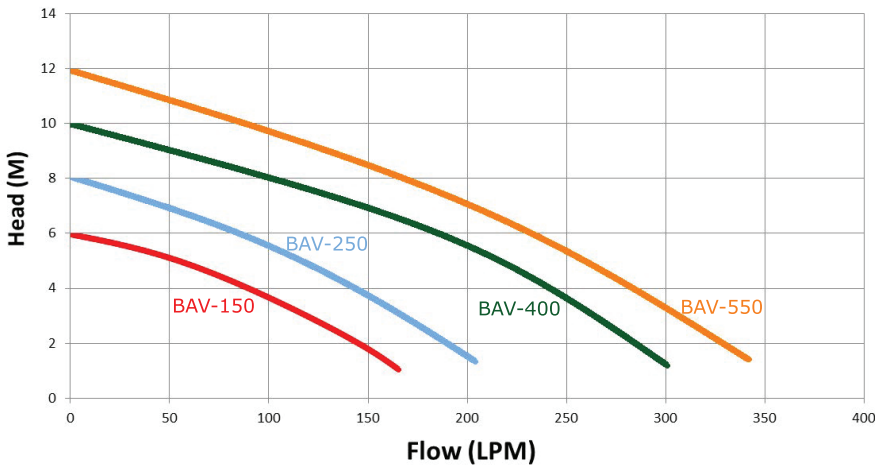


Trevoli BAV Series							
Model	hp	kW	Outlet	Phase	Voltage	Max Solid	List Price
BAV-150	0.20	.15	32mm	1	220-240	10mm	---
BAV-250	0.33	.25	40mm	1	220-240	25mm	\$492
BAV-400	0.53	.40	50mm	1	220-240	30mm	---
BAV-550	0.73	.55	50mm	1	220-240	35mm	---



DESCRIPTION

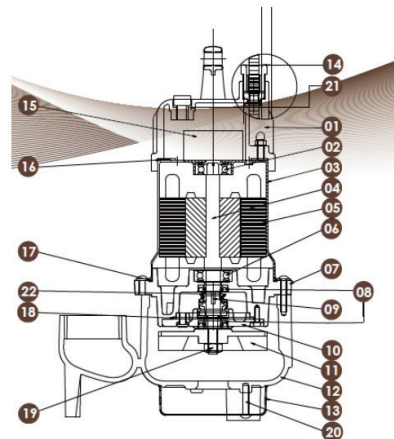
The Trevoli BAV submersible pumps series are ideal for many types of water and usage including effluent, dirty water, drainage, septic and aerated sewage and grey water. A pump for many jobs that is light but heavy duty on performance. Fitted with an anti-clogging vortex impeller they can process solids between 10mm and 35mm.

FEATURES

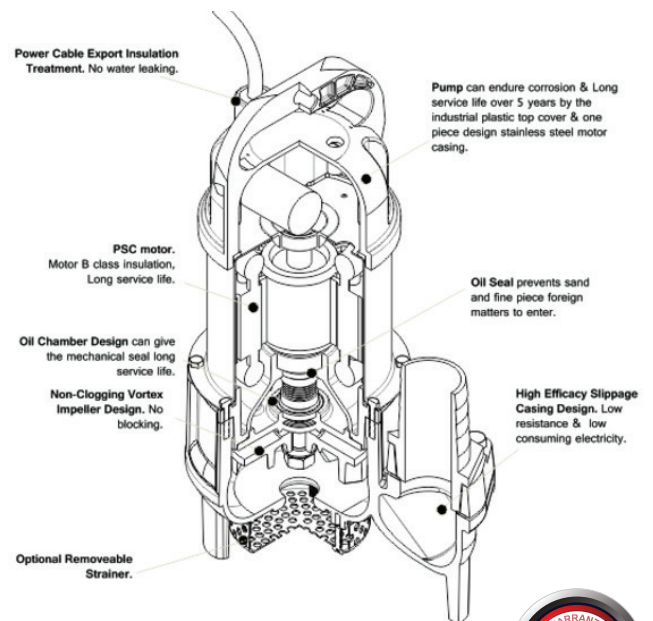
- Fitted with a Float Switch
- Double Mechanical Seals with lip seal and oil chamber
- **Power Cable length:** 10m
- Solid Cast Iron pump body and impeller for durability
- Non Clogging Vortex Impeller design
- Additional Strainer available to reduce particle size to 10mm

TECHNICAL FEATURES

- **Liquid Temperature:** 0°C to 40°C
- **Protection Class:** IP68
- **Maximum Immersion Depth:** 8M
- PH level range of liquid 6-8
- Rated for continuous use
- Thermal overload motor protection



Construction					
No.	Description	Material	No.	Description	Material
1	Top Cover	Nylon+Fiberglass	12	Pump Casing	FC200
2	Upper Bearing	CNM 5K	13	Strainer	SUS304
3	Motor Housing	SUS304	14	Power Cord Set	H05RN-F/H07RNF
4	Shaft	SUS410	15	Capacitor	PP
5	Stator	Silicon Steel	16	Cap Packing	NBR
6	Lower Bearing	CNM 5K	17	O-Ring	NBR
7	Seal Plate	FC200	18	O-Ring	NBR
8	Oil Seal	NBR	19	Nut	SUS
9	M.e. Seal	CA/CE	20	Setting Screw	SUS
10	Seal Cover	FC200	21	Plug Screw	COATED STEEL
11	Impeller	FC200	22	C Retaining Ring	SUS



Dimensions				
Model	A	B	C	Weight
BAV-150	304mm	131mm	186mm	7kg
BAV-250	314mm	131mm	196mm	9kg
BAV-400	350mm	143mm	224mm	11kg
BAV-550	365mm	144mm	224mm	12kg

