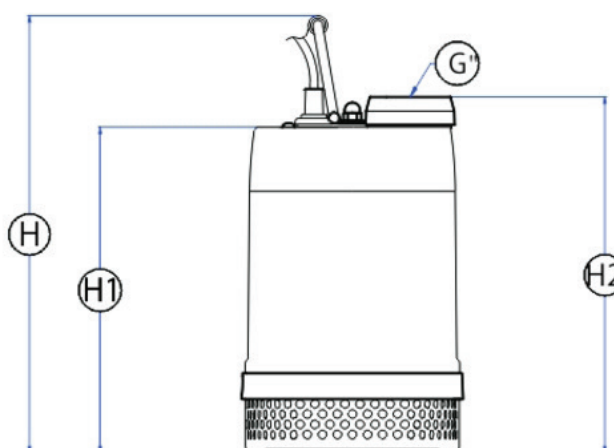
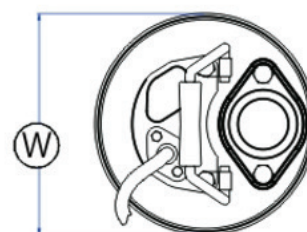
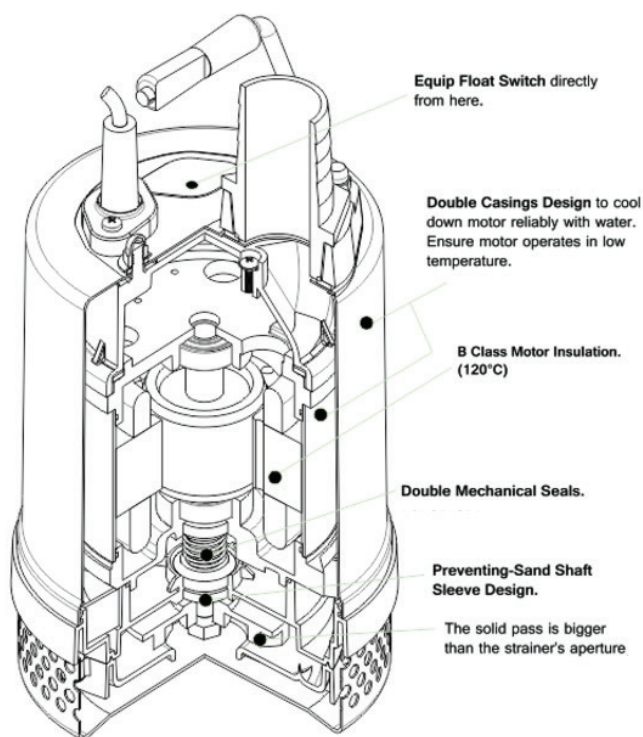
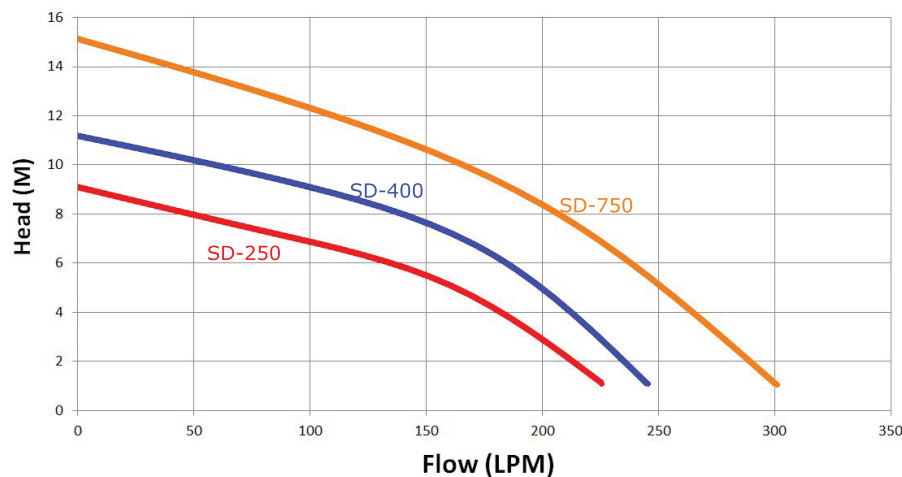


Trevoli SD Series							
Part No.	hp	kW	Outlet	Phase	Voltage	Max Solid	List Price
SD-250	0.3	.25	50mm	1	220-240	7mm	\$660
SD-400	0.5	.40	50mm	1	220-240	10mm	\$800
SD-750	1	.75	50mm	1	220-240	10mm	\$900



DESCRIPTION

The Trevoli SD series are double casing stainless steel submersible pumps. They are built for continuous 24 hour operation. Ideal for industrial use, construction sites, drainage and general dewatering The SD pumps are heavy duty and reliable.

FEATURES

- Float Switch for Run Dry Protection
- Integrated stainless steel outer casing and strainer
- Stainless steel double casing with circumferential liquid flow allows continuous full load operation even when not fully submerged
- Double mechanical seals ensure great durability
- **Maximum Depth: 8 metres**

Dimensions					
Model	W	H1	H	H2	Weight
SD-250	185mm	270mm	350mm	325mm	14kg
SD-400	185mm	255mm	350mm	325mm	16kg
SD-750	185mm	285mm	365mm	340mm	20kg

TECHNICAL FEATURES

- B Class motor insulation
- **Liquid Temperature: 5- 60 Degrees**
- **Rated Speed: 2900/3450 RPM**
- Protection Class: IP68

