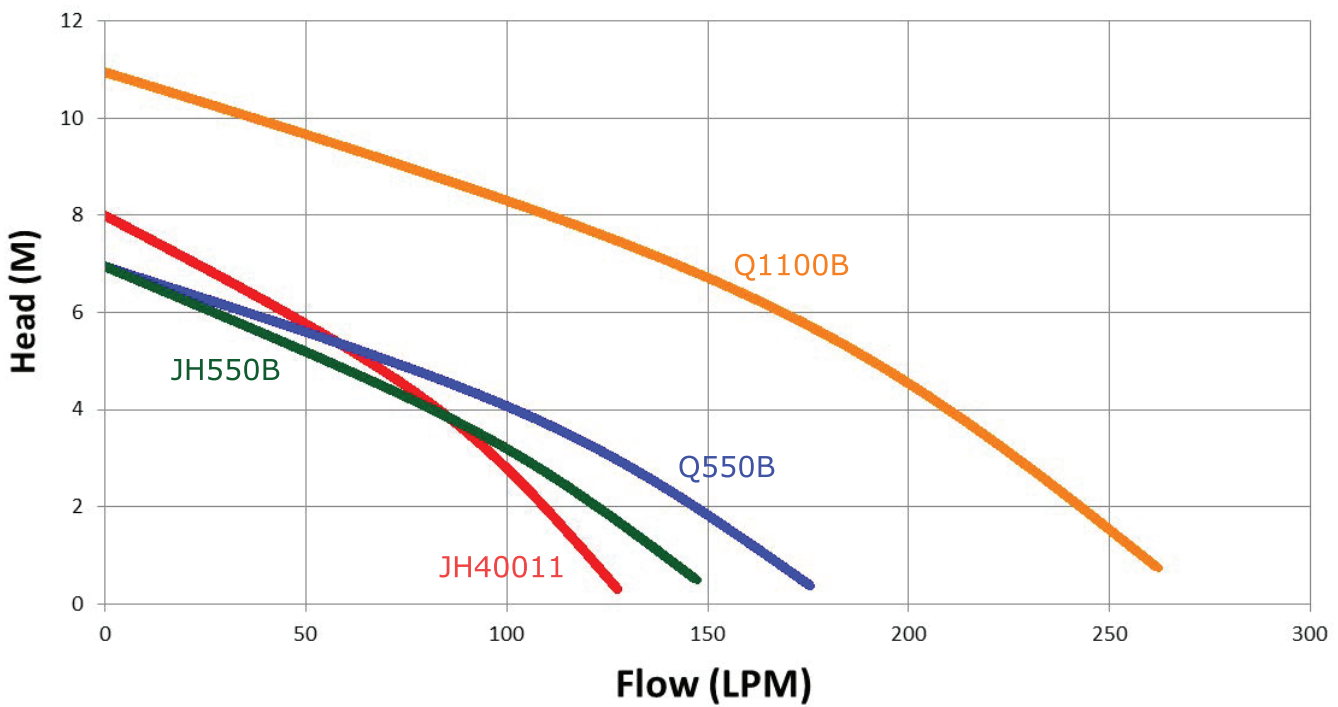
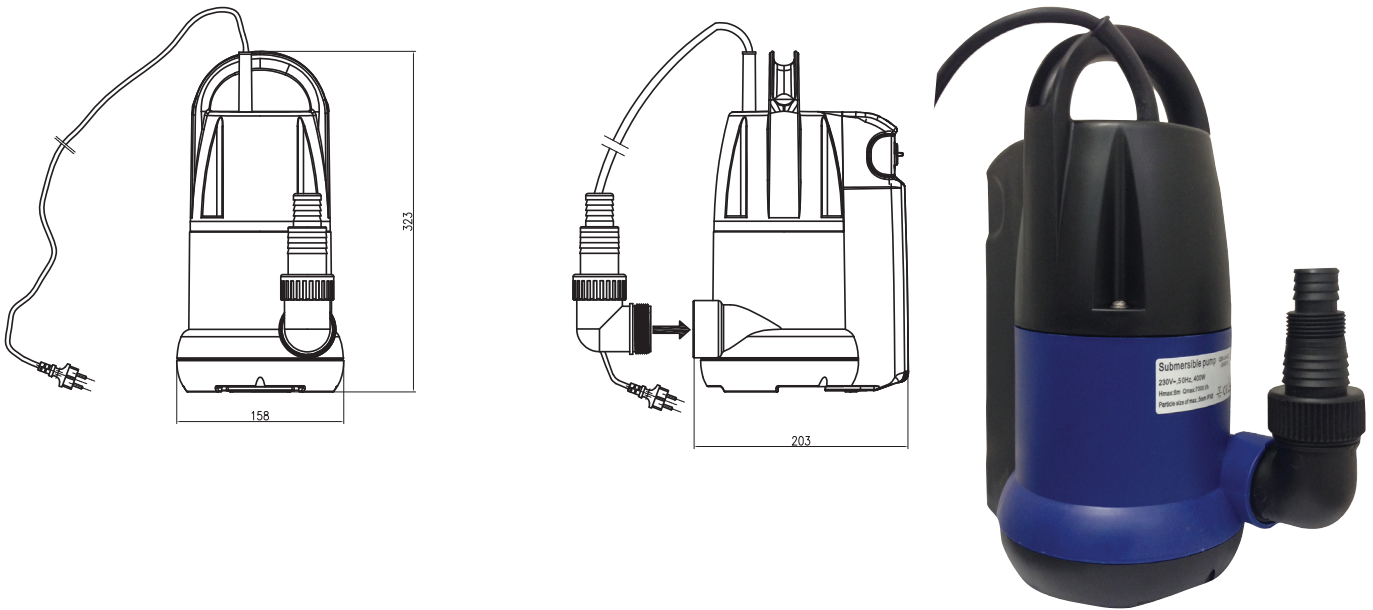


Model	hp	kw	Outlet	Phase	Voltage	Max Solid	Float	List Price
JH40011	0.5	.4	25mm/32mm	1	220-240	5mm	Internal	\$180



DESCRIPTION

The HiFlo series submersible pumps are entry level pumps ideal for light to medium duty applications. They are suitable for dewatering tasks such as pumping out sumps, swimming pools and flooded areas. They are not suitable for constructions sites, ponds, fountains or bio-treatment systems.

The JH40011 has an internal float switch which will not foul and allows for installation in small sumps. It has a switch which allows you to select “Automatic” or “Manual” mode. It can pump down to 5mm.

FEATURES

- Light Weight
- 10 Metre electrical cord with 3 pin plug
- Comes with non-return flap valve
- Automatic Mode - On at 150mm – Off at 70mm
- Manual Mode - Runs pump continuously while power on
- Can pump down to 5mm
- Max immersion depth: 8 metres

Dimensions				
Model	L	W	H	Weight
JH40011	260mm	160mm	330mm	4.5kg

